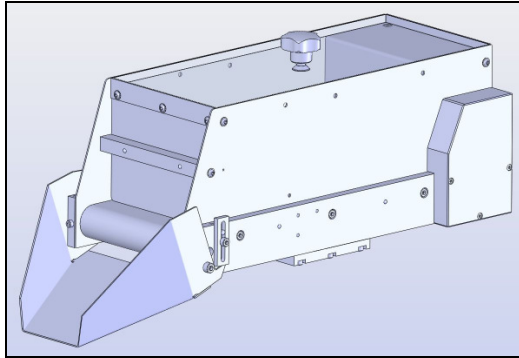


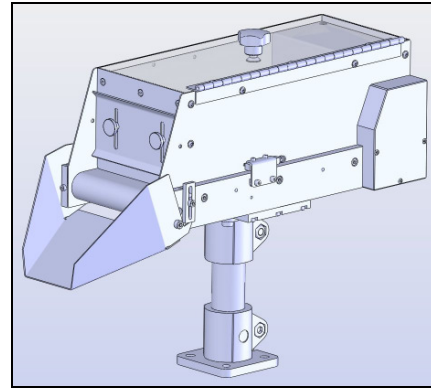
Belt bunkers

Filling weight up to maximum 35kg

As a specialist for stocking small items, the company SIM produces different types of belt bunkers for you.



Standard belt bunker with non-hinged lid, chute and outlet curtain



Accessory items – hinged lid, dosing baffle, level sensors, stands, etc.

Types	BB-01-B	BB-02-B	BB-05-B	BB-05-C	BB-10-C	BB-20-C	BB-30-C	BB-50-C
Filling volume [Liters]	1	2	4.6	4.6	10	20	30	50
Max. filling weight [kg]	5	5	5	35	35	35	35	35
Chute width [mm]	80	80	80	80	80	80	180	180
Belt speeds [m/min]	0.1	0.1	0.1	0.1 0.6	0.1 0.6	0.1 0.6	0.1 0.6	0.1 0.6

- Bunker bin, chute: Stainless steel
- Belt: white FDA-approved
 black not FDA-approved
- Drives: AC gear motor 230V / 50Hz 7.2VA (for BB-xx-C)
 AC gear motor 115V / 60Hz 7.2VA (for BB-xx-C)
 DC gear motor 24V 4.3VA (only for BB-05-C and BB-10-C)
 AC gear motor 230V / 115V 50Hz / 60Hz 5VA (for BB-xx-B)

For more details and dimensional charts, see our catalog.

Special solutions available on request.

Contact: Mail: info@sim-automation.de, Tel: +49 (0) 3606 /690-474