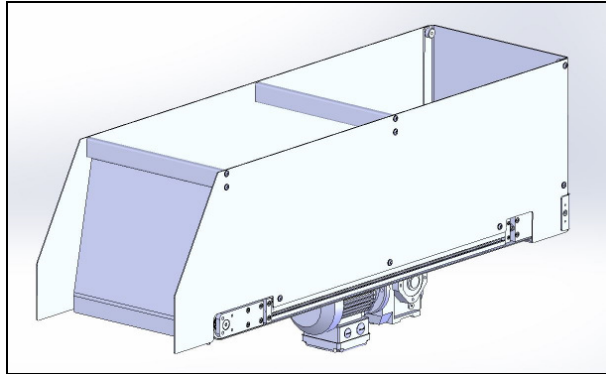


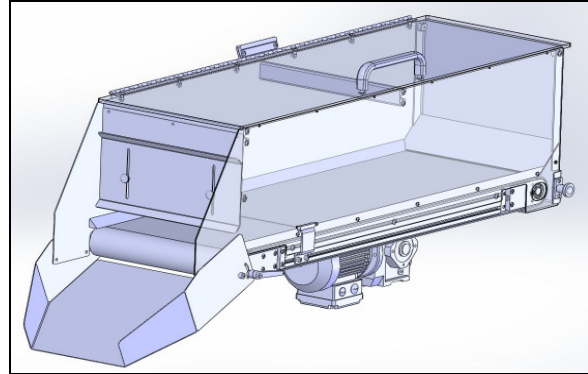
Belt bunkers

Filling weight up to maximum 90kg

As a specialist for stocking small items, the company SIM produces different types of belt bunkers for you.



Standard belt bunker with outlet curtain



Accessory items – hinged lid, dosing baffle, level sensors, chute, hinged back cover, triangular strips

Types	BB-20-TB60	BB-50-TB60	BB-75-TB60	BB-100-TB60
Filling volume [Liters]	20	50	75	100
Max. filling weight [kg]	90	90	90	90
Chute width [mm]	115	235	235	235

Bunker bin, chute: Stainless steel

Belt: five options (Standard: black), according to requirements, also with FDA-licence.

Drives:

				USA 3-Phase		USA 1-Phase
		Delta	Star	Delta	Star	
Supply voltage [V]	50Hz	220 - 240	380 - 415			
	60Hz	240 - 266	415 - 460	277	480	115
Engine power [kW]		0,12	0,12	0,12	0,12	0,12
Speed [m/min]	50Hz	1,1	1,1			
	60Hz	1,4	1,4	1,1	1,4	2,2

For more details and dimensional charts, see our catalog.

Special solutions available on request.

Contact: Mail: info@sim-automation.de, Phone: +49 (0) 3606 /690-474